

# 不锈钢挂墙式马桶

TOILETS



## features and benefits

- "WELS和水印认证
- 挂墙安装
- 马桶边缘圆边设计
- 强抗破坏设计
- 独特的抗堵塞P管设计
- 任意高度安装
- 防违禁品冲洗圈
- 可选择安装马桶座圈
- 4.5/3升冲洗兼容
- 砂光不锈钢表面处理
- 适合用于俱乐部, 酒吧和公共设施"

## about

BRITEX壁挂式马桶盆是无缝的一体式结构, 完全覆盖, 由高规格304砂光不锈钢制造, 易于清洁, 并提供最佳强度。结合半圆型边缘, 增加了安全性, 冲压式的小便斗和独特P型排污管设计, 非常节水(4.5/3升), 并且更不容堵塞, 公共马桶一旦堵塞将产生昂贵的维修费用。一个重型的墙壁安装支架是提供方便的安装沉, 不显眼的锅固定和马桶座可以安装, 如果需要。水印和水印

## sample spec. text

BRITEX 不锈钢挂墙马桶, 4xWELS 认证, 14mm半圆安全边

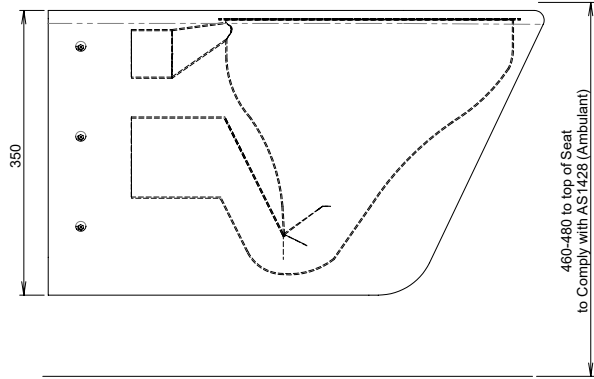
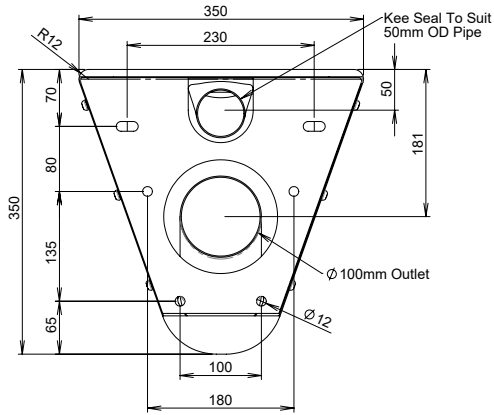
\*RED TEXT may denote a **variable** where one option only is to be selected, a **nominal dimension** that needs to be specified, or an **optional feature** that can be removed if not required. Please refer to the back of this page for additional specification details and options.

VISIT [BRITEX.COM.AU](http://BRITEX.COM.AU) TO DOWNLOAD BIM FILES, CAD DRAWINGS AND THE MOST CURRENT PRODUCT LITERATURE.

# 不锈钢挂墙式马桶

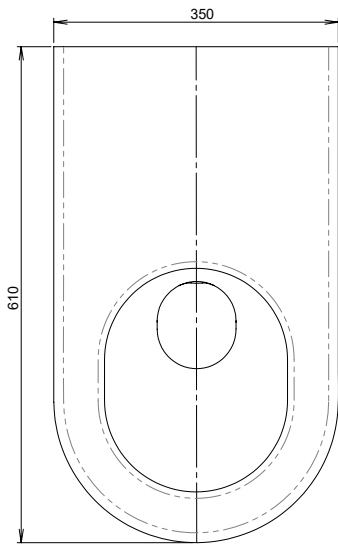
PRODUCT CODE

## CN-PWM



MODEL CN-PWM Back Elevation

MODEL CN-PWM Side Elevation



MODEL CN-PWM Plan

specifying  
guide

When specifying this product please include:

- Product Name and Code
- Product Dimensions
- Seat Model (if required)

options

- 选马桶垫圈
- 可选配套Britex 冲洗阀

VISIT [BRITEX.COM.AU](http://BRITEX.COM.AU) TO DOWNLOAD BIM FILES, CAD DRAWINGS AND THE MOST CURRENT PRODUCT LITERATURE.

Last Revised Mar 2024



Due to ongoing research and our commitment to product development, details are subject to change without notice. Details accurate at time of print. Please refer to [britex.com.au](http://britex.com.au) for the most current product information. Allow +/- 5mm tolerance for dimensions and setouts shown in product literature.

[britex.com.au](http://britex.com.au) | [sales@britex.com.au](mailto:sales@britex.com.au) | A.B.N 83 004 309 737